



PARADE LB 1-2-3

LINEAR MODULES

Available in three different lengths for maximum modular efficacy, the newly engineered **PARADE LB** features unquestionably powerful luminous flux with real uniform distribution even on close-up installations for truly powerful wall grazing enhancement especially on large-scale architectural elements. These IP67 rated ON-OFF fixtures, equipped with integrated power supply unit, are the ideal solution for those applications which do not require RDM/DMX function. The natural or warm white LEDs set-ups available provide an unprecedented astonishing white light output quality allowing a broad range of application purposes.

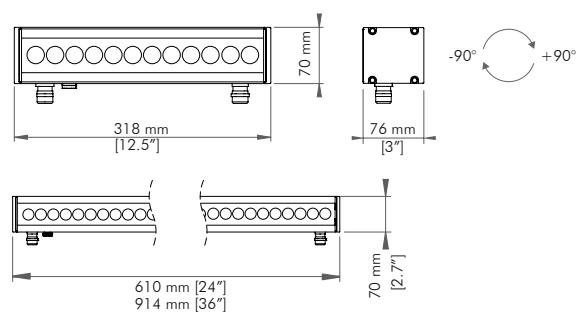


PARADE LB 1-2-3

GRIVEN 

PARADE LB 1-2-3

GRIVEND 

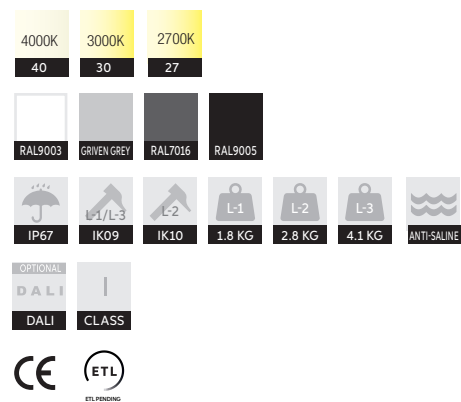


BEAM ANGLE REFERENCE

RGBW		WHITE LIGHT	
SPOT	7°	SPOT	12°
NARROW	11°	NARROW	15°
MEDIUM	21°	MEDIUM	25°
WIDE	43°	WIDE	48°
EXTRA WIDE	69°	EXTRA WIDE	59°
ELLIPTICAL	9°x41°	ELLIPTICAL	14°x39°
ELLIPTICAL WIDE	20°x38°	ELLIPTICAL WIDE	23°x38°
WALL WASH	13°(5° incline)x37°	WALL WASH	19°(5° incline)x38°

PHOTOMETRIC DETAILS SOON AVAILABLE ON OUR WEBSITE

FEATURES AND OPTIONS



ACCESSORIES



CODES

AL5260 PARADE LB-1
AL5265 PARADE LB-2
AL5270 PARADE LB-3

OPTICS

SP Spot
NA Narrow
ME Medium
WI Wide
EW Extra wide
EL Elliptical
WL Elliptical Wide
WW Wall Wash

LED TYPE

40 Natural White 4000K
30 Warm White 3000K
27 Warm White 2700K

CONTROL SYSTEM

D DALI

FINISH

W White RAL 9003
G GRIVEN Grey
A Anthracite RAL 7016
B Black RAL 9005

CABLE TYPE

M Hybrid cable for DALI (without connectors)

NOTES

PARADE LB must always be purchased with fixing brackets (see accessories).

TECHNICAL SPECIFICATIONS

These DALI/ON-OFF fixtures are equipped with integrated power supply unit. The linear bars of the PARADE LB series are high luminance IP67 linear modules, whose extruded aluminium body hosts either 6, 12 or 18 Natural White (4000K), Warm White (3000K, 2700K) or, on request, monochrome power LEDs. Dimensions: 318/610/914 mm x 76mm x 70 mm. Power supply: standard 100-277V / 50-60Hz. Power consumption: LB-1 0.1A @ 230V / 20W max. LB-2 0.18A @ 230V / 40W max. LB-3 0.27A @ 230V / 58W max. Electrical Class. Operating temperature: -40°C to 50°C (-40°F to 122°F).



LATVIA_Frica Elementary School, Riga